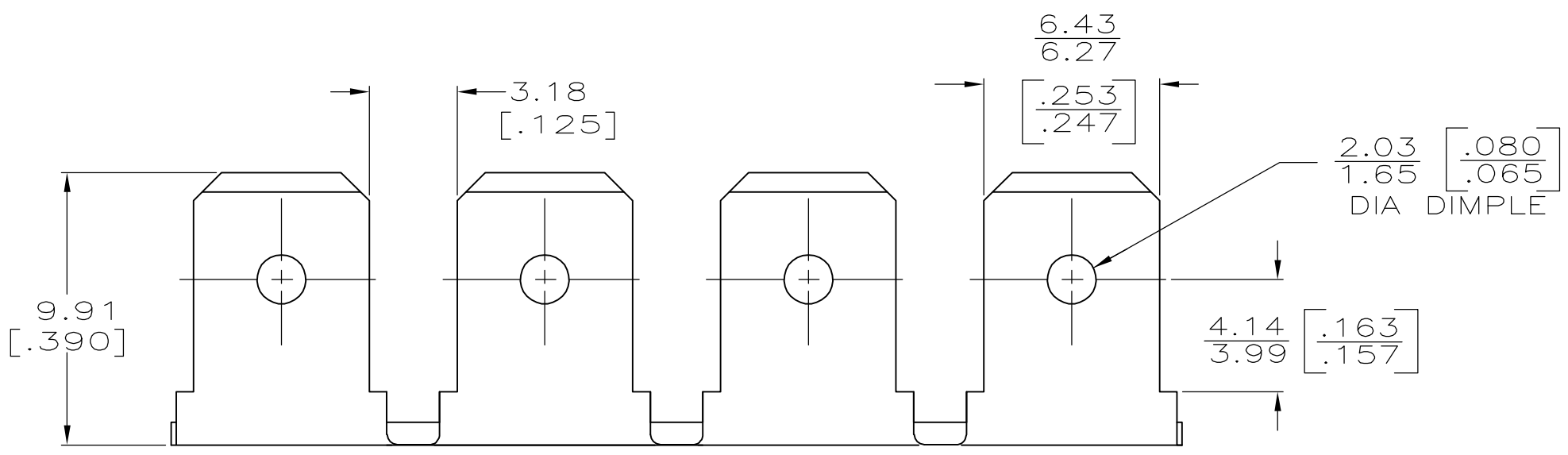
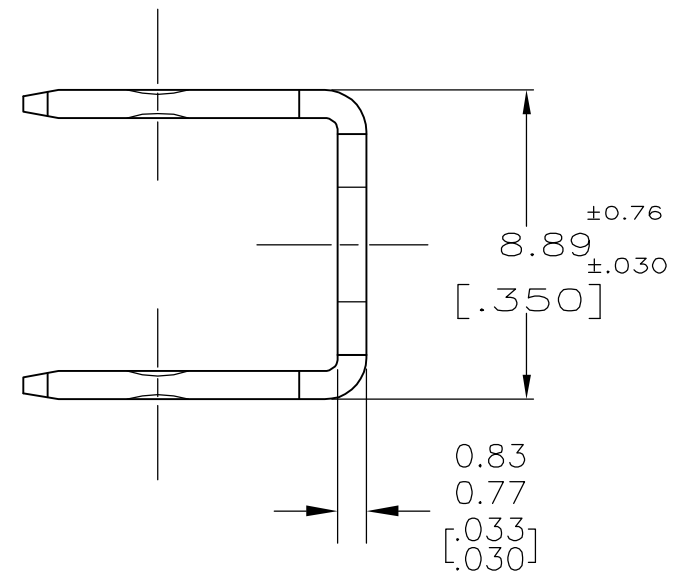
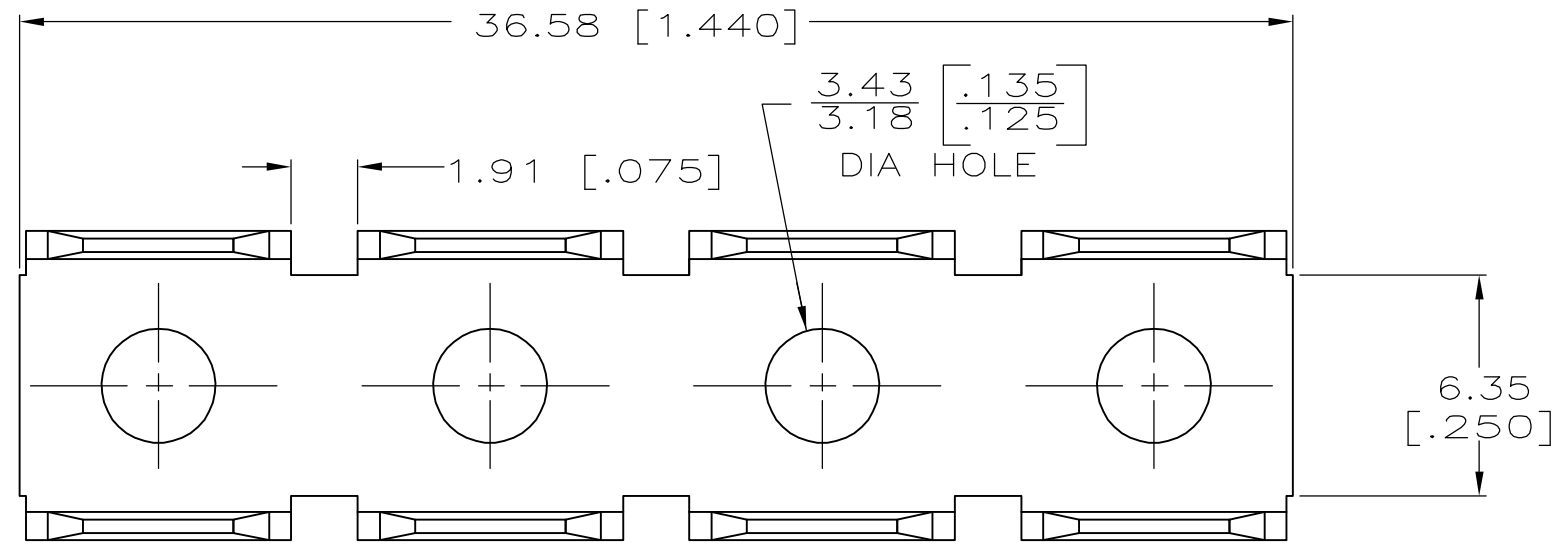


THIS DRAWING IS UNPUBLISHED. RELEASED FOR PUBLICATION
 © COPYRIGHT BY TYCO ELECTRONICS CORPORATION. ALL RIGHTS RESERVED.

| LOC | | DIST | | REVISIONS | | | | | |
|-----|--|------|--|-----------|-----|-----------------------|---------|-----|------|
| AF | | 50 | | P | LTR | DESCRIPTION | DATE | DWN | APVD |
| | | | | | AG | REV PER ECR-05-017287 | 28MAR06 | HMR | JR |



1 SUPPLIED IN LOOSE PIECE

41370
PART NO

| | | | | | | | | | | | | | | | | |
|--|---------------|--------|----------|---------|---|-------|-----------|------------|---------------|---------------|-------|-----|--------|-----|--------------|------|
| THIS DRAWING IS A CONTROLLED DOCUMENT. | | DWN | JR RUTH | 12/2/91 | Tyco Electronics Corporation Harrisburg, PA 17105-3608 | | | | | | | | | | | |
| DIMENSIONS: mm [INCHES] | | CHK | MS FEHER | 12/2/91 | | | | | | | | | | | | |
| TOLERANCES UNLESS OTHERWISE SPECIFIED: | | APVD | MEYERS | 12/2/91 | | | | | | | | | | | | |
| <table border="0"> <tr><td>0 PLC</td><td>± -</td></tr> <tr><td>1 PLC</td><td>± -</td></tr> <tr><td>2 PLC</td><td>± -</td></tr> <tr><td>3 PLC</td><td>± 0.38 [.015]</td></tr> <tr><td>4 PLC</td><td>± -</td></tr> <tr><td>ANGLES</td><td>± -</td></tr> </table> | | 0 PLC | ± - | 1 PLC | | ± - | 2 PLC | ± - | 3 PLC | ± 0.38 [.015] | 4 PLC | ± - | ANGLES | ± - | PRODUCT SPEC | NAME |
| 0 PLC | ± - | | | | | | | | | | | | | | | |
| 1 PLC | ± - | | | | | | | | | | | | | | | |
| 2 PLC | ± - | | | | | | | | | | | | | | | |
| 3 PLC | ± 0.38 [.015] | | | | | | | | | | | | | | | |
| 4 PLC | ± - | | | | | | | | | | | | | | | |
| ANGLES | ± - | | | | | | | | | | | | | | | |
| MATERIAL | 082 BRASS | FINISH | - | | APPLICATION SPEC | - | | | | | | | | | | |
| MATERIAL | | WEIGHT | | - | | SIZE | CAGE CODE | DRAWING NO | RESTRICTED TO | | | | | | | |
| 082 BRASS | | - | | - | | A3 | 00779 | C-41370 | - | | | | | | | |
| CUSTOMER DRAWING | | | | | | SCALE | 5:1 | SHEET | 1 of 1 | REV | AG | | | | | |